

MEMO3

Energy meter
32 A single-phase

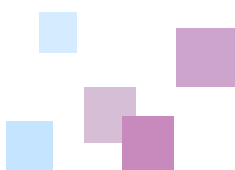
The economical solution

Compact : 1 DIN module

32 A direct connection

Accuracy Class 1 according to
IEC 62053-21

Pulse output



Marinas



Outdoor accommodation



Rental housing

■ Electrical specifications

Voltage input	
Nominal voltage	230 V (- 10% / + 20%)
Frequency	50 or 60 Hz
Consumption	< 2 VA
Direct current input	
Nominal current	5 (32) A
Starting current	20 mA
Max. permanent current	36 A
Active energy	
Accuracy	IEC 62053-21 Class 1
Pulse output	
Output type	Isolated with open collector transistor
Pulse weight	10 Wh
Pulse duration	240 ms
Max voltage	Vcemax 35 Vdc
Max current	Icemax 50 mA
Standard	IEC 62053-31

■ Mechanical specifications

Format	1 DIN module (17.5 mm wide)
Attachment	to 35 mm DIN rail
Max. cross-sectional area of cables	6 mm ² for flexible wire 10 mm ² for rigid wire
Protection	IP20
Mass	0.1 Kg
Operating LED indicator	green
Metrological LED	green, flashing 3,200 times/kWh
Mechanical display	6 mechanical rolls up to 99,999.9 kWh
Rolls height	4 mm
Sealing system	sealable on Phase and Neutral terminals

■ Environnement

Operating temperature	- 20 °C to + 50 °C
Storage temperature	- 30 °C to + 70 °C
Relative humidity	< 95 % to + 40 °C

■ Example of application

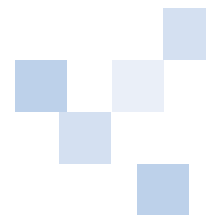
Remote reading of energy consumption

When combined with the CCT pulse receiver and the E.online® energy management software, this solution allows:

- remote reading on PC of the energy consumed
- automatic generation of consumption reports
- precise allocation of the energy consumed



MEMO3 meter



CCT pulse receiver

E.online® energy management software



■ To order

MEMO3 meter



MEMN 003NA

Pulse receiver



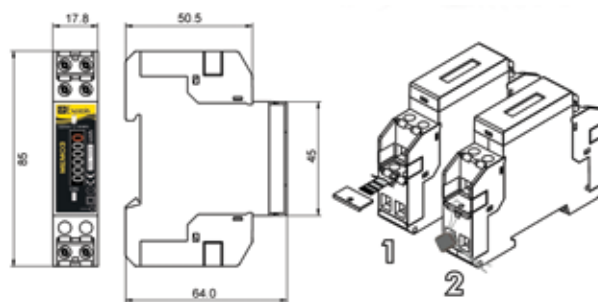
CCCT 1001

Energy management software

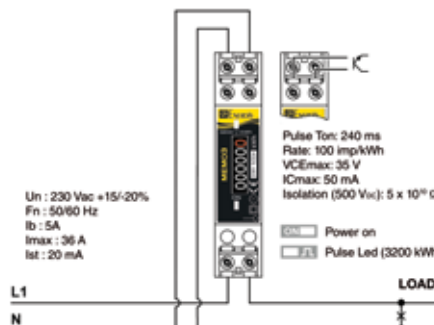


E.online®

■ Dimensions (in mm)



■ Electrical connections



FRANCE

Enerdis
 16, rue Georges Besse - Silic 44
 92182 ANTONY Cedex
 Tél : +33 1 75 60 10 30
 Fax : +33 1 46 66 62 54
 info@enerdis.fr
 www.enerdis.fr

UNITED KINGDOM

Chauvin Arnoux Ltd
 Nelson Ct, Flagship Sq, Shaw Cross Business Pk
 Dewsbury, West Yorkshire - WF12 7TH
 Tel: +44 1924 460 494
 Fax: +44 1924 455 328
 info@chauvin-arnoux.co.uk
 www.chauvin-arnoux.com

MIDDLE EAST

Chauvin Arnoux Middle East
 P.O. BOX 60-154
 1241 2020 JAL EL DIB - LEBANON
 Tel: +961 1 890 425
 Fax: +961 1 890 424
 camie@chauvin-arnoux.com
 www.chauvin-arnoux.com



**CHAUVIN
 ARNOUX**

GROUP